

PART NAME ADJUSTABLE SLIDE DRAWER

PART No. D-1722

MATERIAL:

PANEL \_\_\_\_\_ 12 GA. STEEL  
 BODY ASSEMBLY \_\_\_\_\_ 18 GA. STEEL  
 MOUNTING BRACKETS \_\_\_\_\_ 16 GA. STEEL  
 HANDLE \_\_\_\_\_ ABS

FINISH:

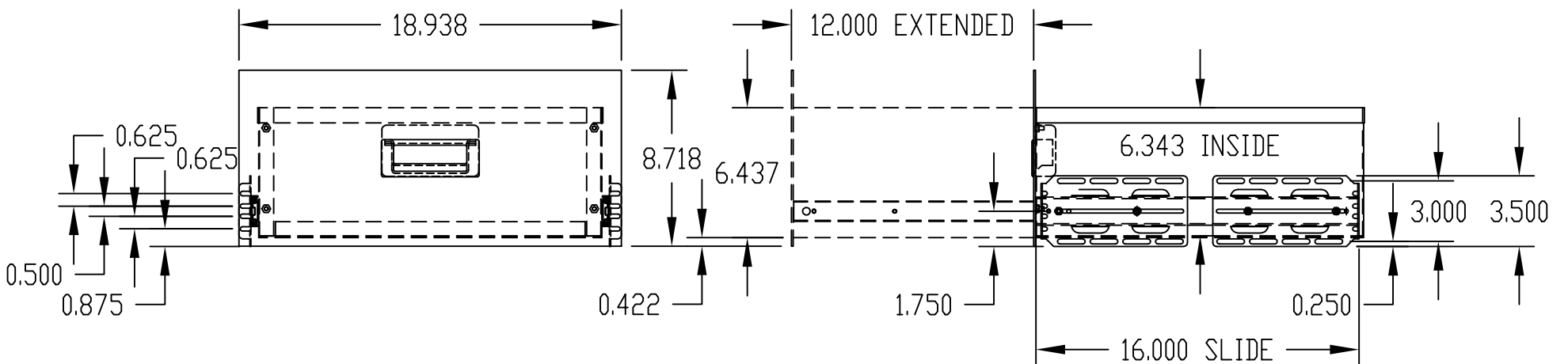
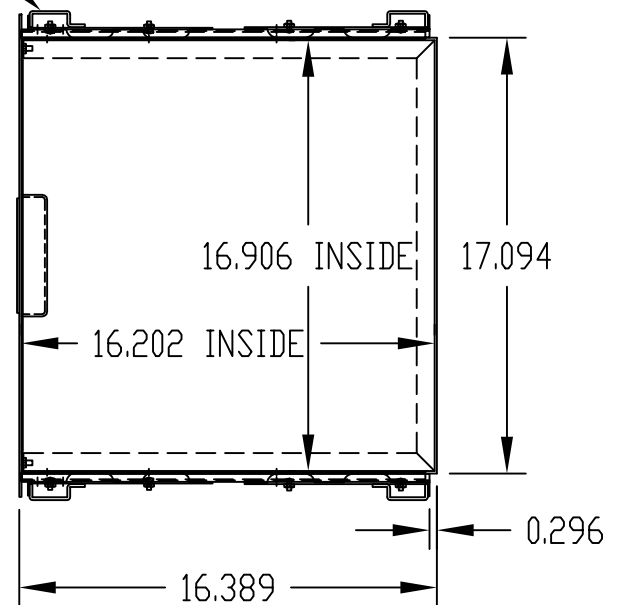
PANEL \_\_\_\_\_ WHITE TEXTURED  
 METALLIC GRAY  
 BLACK TEXTURED  
 BODY ASSEMBLY \_\_\_\_\_ BLACK TEXTURED  
 MOUNTING BRACKETS \_\_\_\_\_ SMOOTH BLACK  
 HANDLE \_\_\_\_\_ BLACK

UNIT SHIPPED UNASSEMBLED.

SLIDE TRAVEL 12".

SLIDE LOAD RATING 120 LBS. PER PAIR.

REF. RACK  
 PANEL MTG. RAIL



PART NAME ADJUSTABLE SLIDE DRAWER

PART No. D-1723

MATERIAL:

PANEL \_\_\_\_\_ 12 GA. STEEL  
 BODY ASSEMBLY \_\_\_\_\_ 18 GA. STEEL  
 MOUNTING BRACKETS \_\_\_\_\_ 16 GA. STEEL  
 HANDLE \_\_\_\_\_ ABS

FINISH:

PANEL \_\_\_\_\_ WHITE TEXTURED  
 METALLIC GRAY  
 BLACK TEXTURED  
 BODY ASSEMBLY \_\_\_\_\_ BLACK TEXTURED  
 MOUNTING BRACKETS \_\_\_\_\_ SMOOTH BLACK  
 HANDLE \_\_\_\_\_ BLACK

UNIT SHIPPED UNASSEMBLED.

SLIDE TRAVEL 15".

SLIDE LOAD RATING 92 LBS. PER PAIR.

REF. RACK  
 PANEL MTG. RAIL

